















SOCKETS				
				
STRAIGHT-THRU		ONE WAY (VALVED)		TWO WAY (VALVED)
HOSE STEM CAT. NO.	PUSH-ON STEM CAT. NO.	HOSE STEM CAT. NO.	PUSH-ON STEM CAT. NO.	

STRAIGHT HOSE STEM




1/4"	1/4 I.D.	FS204	FS204P		FS204V	FS204VP		
	5/16 I.D.	FS205			FS205V			
	3/8 I.D.	FS206	FS206P		FS206V	FS206VP		
	45° HOSE STEM							
	1/4 I.D.	FS224	FS224P		FS224V	FS224VP		
	5/16 I.D.	FS225			FS225V			
3/8 I.D.	FS226	FS226P		FS226V	FS226VP			
90° HOSE STEM								
1/4 I.D.	FS214	FS214P		FS214V	FS214VP			
5/16 I.D.	FS215			FS215V				
3/8 I.D.	FS216	FS216P		FS216V	FS216VP			

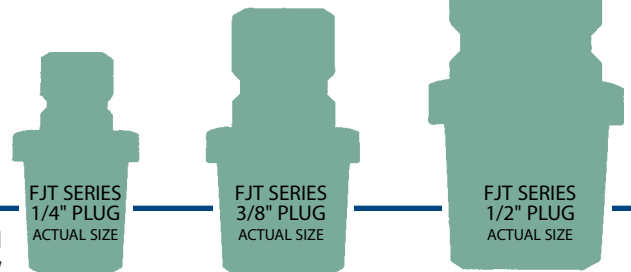
Two way sockets and plugs eliminate coolant loss through automatic shut off at disconnect. Two way plugs can be used only with two way sockets. Regular plugs may be used with either straight-thru or one way sockets.

STRAIGHT HOSE STEM

	HOSE STEM CAT. NO.	PUSH-ON STEM CAT. NO.						
3/8"	3/8 I.D.	FS306	FS306P		FS306V	FS306VP		
	1/2 I.D.	FS308	FS308P		FS308V	FS308VP		
	45° HOSE STEM							
	3/8 I.D.	FS326	FS326P		FS326V	FS326VP		
	1/2 I.D.	FS328	FS328P		FS328V	FS328VP		
	90° HOSE STEM							
3/8 I.D.	FS316	FS316P		FS316V	FS316VP			
1/2 I.D.	FS318	FS318P		FS318V	FS318VP			

STRAIGHT HOSE STEM

1/2"	1/2 I.D.	FS504	FS504P		
	3/4 I.D.	FS506	FS506P		
	45° HOSE STEM				
	1/2 I.D.	FS524	FS524P		
	3/4 I.D.	FS526	FS526P		
	90° HOSE STEM				
1/2 I.D.	FS514	FS514P			
3/4 I.D.	FS516	FS516P			



NOTE: Sockets are available **without** straight or angle hose stems. Catalog numbers and socket body FPT sizes are as follows:

NOTE: Catalog No. FS308 and FS318 are available in a high flow version having a flow of 13.8 GPM.

Cat. No.	FPT	HOSE STEM Cat. No.	PUSH-ON STEM Cat. No.
FS200	1/8"		
FS200V	1/8"		
FS300	1/4"	FS308HF	FS308HFP
FS300V	1/4"	FS318HF	FS318HFP
FS300V2	1/4"		
FS300HF	3/8"		
FS500	1/2"		